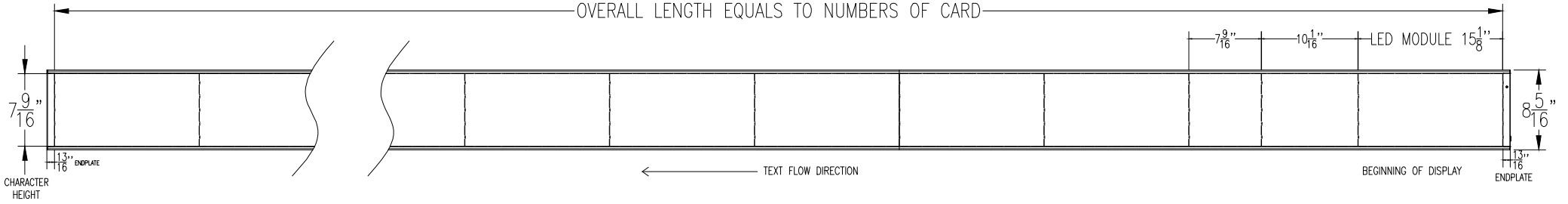


48H PIXEL 4MM RIGID CABINET LED TICKER

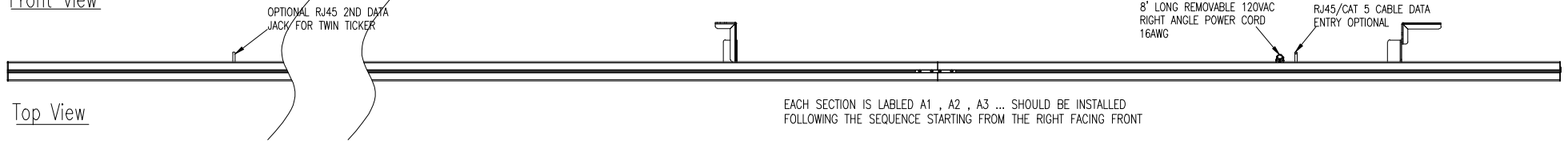
LED MODULE LENGTH OPTIONS: 15 $\frac{1}{8}$ " / 10 $\frac{1}{16}$ " / 7 $\frac{9}{16}$ "

OVERALL LENGTH EQUALS TO NUMBERS OF CARD

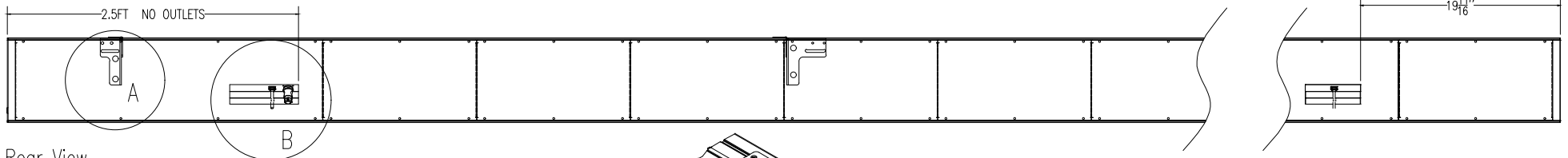


Front view

Top View



EACH SECTION IS LABELED A1 , A2 , A3 ... SHOULD BE INSTALLED FOLLOWING THE SEQUENCE STARTING FROM THE RIGHT FACING FRONT

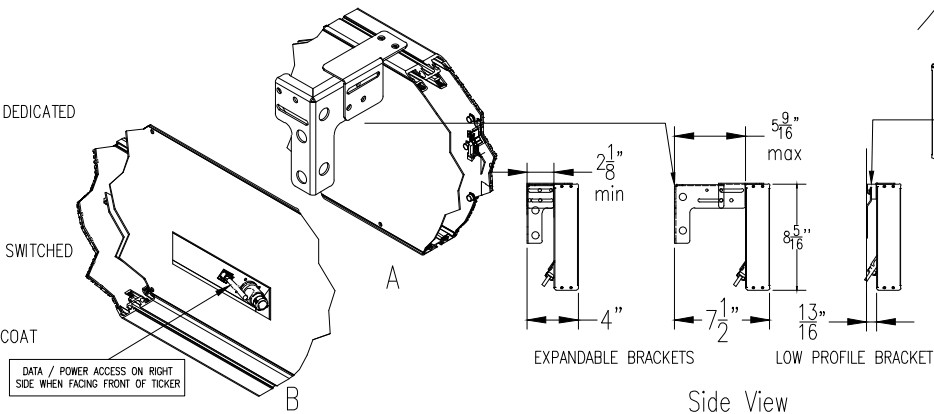


Rear View

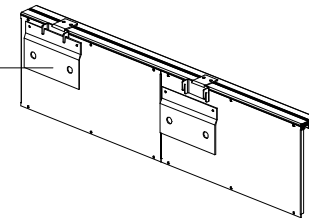
POWER OUTLET LOCATION
OUTLETS CAN BE LOCATED BEHIND SIGN.
SIGNS LONGER THAN 97FT REQUIRE AN ADDITIONAL DEDICATED
OUTLETS EVERY 97FT OF SIGN.

SPECIFICATIONS:

- PIXEL PITCH : .16" (4MM)
- COLOR: RGB (FULL COLOR)
- CHARACTER HEIGHT: 7.56 INCH (48H)
- ELECTRICAL REQUIREMENTS: 120VAC-220VAC/SINGLE PHASE MANUALLY SWITCHED @ 120 VAC INDOOR - 13.5 WATTS/FT POWER INPUT: POWER CORD
- DATA: XPICO WIFI OR ETHERNET
- CHASSIS METAL & FINISH: ALUMINIUM WITH EXTRUDED BLACK POWDER COAT
- SIGN MOUNTING: WALL MOUNT & CHAIN MOUNT
- WEIGHT : 3 LBS/FT



Side View



EACH SECTION EQUIPPED WITH 2 SETS OF MOUNTING BRACKETS, ATTACHED TO TICKER EQUAL DISTANCE APART FROM ITS ENDS

COMPANY _____	TITLE _____	
SIGNED _____	DATE _____	
PROJECT RISETICKER SHOP DRAWING		
TITLE LED TICKER DISPLAY (48 PIXEL-4MM)		
DRAWING NO RISETICKER-484F		
SCALE : 1 / 1	DRAWN BY: JHW	DATE : 11 / 8 / 22